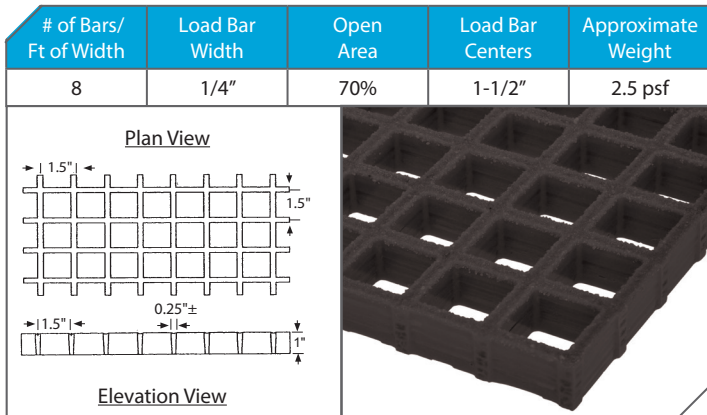


FIBERGRATE® MOLDED GRATING WITH CORVEX® RESIN SYSTEM

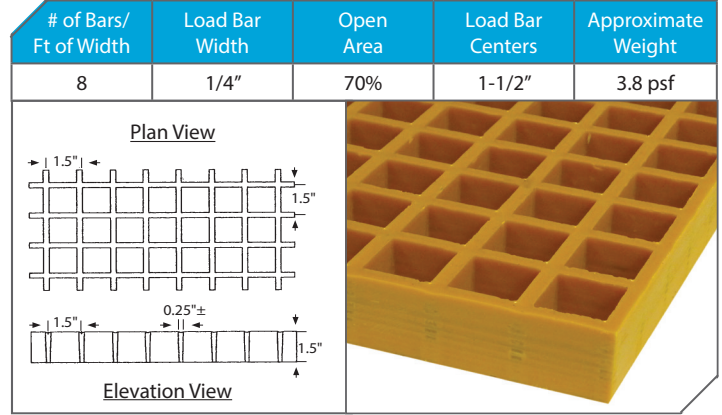
DETAILS

1" Deep x 1-1/2" Square Mesh



Section Properties per Ft of Width: $A = 1.71 \text{ IN}^2$ $I = 0.14 \text{ IN}^4$ $S = 0.29 \text{ IN}^3$

1-1/2" Deep x 1-1/2" Square Mesh



Section Properties per Ft of Width: $A = 2.85 \text{ IN}^2$ $I = 0.51 \text{ IN}^4$ $S = 0.65 \text{ IN}^3$

RUBBER FEET FOR MOLDED GRATING



Specially designed rubber feet are an economical way to create a raised, ergonomic grating workmat for use around maintenance equipment, machines, lathes and in wet areas. With the rubber feet, facilities have a cost-effective solution to elevate grating needed for drainage or water flow and safe, ergonomic platforms. The feet can be utilized on all depths of molded grating from 1", 1-1/2" and 2" in any shape or configuration. The work mats can also be customized to worker resiliency preferences, just add more feet to increase the stiffness. The feet raise the grating 1/2" above the ground, and along with the open mesh, protect workers by allowing chips and fluids to fall below the standing surface eliminating slip and fall hazards.

SPECIFICATIONS

Resin

Corvex®:

This newly improved isophthalic polyester resin system outperforms a number of competitive fiberglass and metal products and meets the requirements for corrosion resistance found in industrial, chemical processing and water/wastewater applications. *This upgraded formulation has replaced IFR, CP-84 and FS-25 resins.* Flame Spread: ASTM E84 rating of 25 or less. Certifications: DNV Type Approval No. F-16856; meets the USCG requirements for general fire rating*.

*For specific requirements and questions, please contact technical services.

Colors

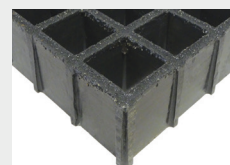
Dark Gray

Yellow

Size

DEPTH	MESH	PANEL SIZES
1"	1-1/2" x 1-1/2"	3' x 10' / 4' x 8' / 4' x 12'
1-1/2"	1-1/2" x 1-1/2"	3' x 10' / 4' x 8' / 4' x 12' / 5' x 10'

Surface



Integrally Applied Grit:

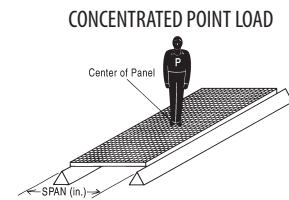
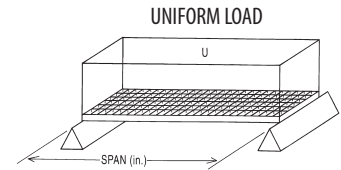
The optional grip top of Fibergate® grating has a quartz grit which is integrally applied, cured and sealed onto the surface providing excellent slip resistant footing.

PRODUCT DATA SHEET

LOAD CHARTS PRODUCTS: 1" Deep & 1-1/2" Deep Fibergrate® Molded Grating with 1-1/2" Square Mesh

UNIFORM LOAD TABLE - DEFLECTION IN INCHES											MAX RECOM. LOAD (psf)	ULTIMATE CAPACITY (psf)
CLEAR SPAN (in)	DEPTH (in)	LOAD (psf)										
		50	65	100	150	200	300	500	1000	2000		
12	1"	<.01	<.01	<.01	<.01	<.01	0.02	0.04	0.08	0.16	1420	7120
	1-1/2"	<.01	<.01	<.01	<.01	<.01	0.01	0.02	0.04	0.07	3200	16000
18	1"	0.02	0.02	0.04	0.06	0.08	0.11	0.20	0.38	--	630	3170
	1-1/2"	<.01	<.01	0.01	0.02	0.03	0.04	0.07	0.14	0.28	1420	7100
24	1"	0.06	0.08	0.12	0.19	0.25	0.37	--	--	--	350	1780
	1-1/2"	0.02	0.03	0.04	0.06	0.08	0.12	0.21	0.42	--	800	4000
30	1"	0.14	0.18	0.27	0.41	--	--	--	--	--	220	1140
	1-1/2"	0.05	0.06	0.09	0.14	0.18	0.27	0.46	--	--	510	2560
36	1"	0.31	0.40	--	--	--	--	--	--	--	150	790
	1-1/2"	0.1	0.13	0.20	0.30	0.40	--	--	--	--	350	1770
42	1"	0.49	--	--	--	--	--	--	--	--	110	580
	1-1/2"	0.17	0.22	0.34	--	--	--	--	--	--	260	1300
48	1-1/2"	0.28	0.37	--	--	--	--	--	--	--	200	1000
54	1-1/2"	0.42	--	--	--	--	--	--	--	--	150	790

MOLDED GRATING CONCENTRATED POINT LOAD TABLES - Deflection in Inches								
CLEAR SPAN (in)	DEPTH (in)	LOAD (lb)						
		50	100	200	300	500	1000	2000
18	1	<.01	0.01	0.03	0.04	0.07	0.14	0.27
	1-1/2*	<.01	<.01	0.01	0.02	0.03	0.06	0.13
24	1	0.01	0.03	0.05	0.08	0.13	0.26	--
	1-1/2*	<.01	0.01	0.02	0.03	0.06	0.12	0.23
30	1	0.03	0.05	0.1	0.15	0.26	--	--
	1-1/2*	0.01	0.02	0.04	0.06	0.1	0.2	--
36	1	0.03	0.07	0.14	0.2	0.34	--	--
	1-1/2*	0.02	0.03	0.06	0.09	0.15	0.3	--
42	1	0.06	0.12	0.23	0.35	--	--	--
	1-1/2*	0.02	0.04	0.09	0.13	0.22	0.44	--
46	1	0.07	0.14	0.28	0.42	--	--	--
48	1-1/2*	0.03	0.06	0.12	0.18	0.29	--	--
54	1-1/2*	0.04	0.07	0.15	0.22	0.37	--	--
58	1-1/2*	0.04	0.08	0.17	0.25	0.42	--	--



CONCENTRATED LINE LOAD TABLE - DEFLECTION IN INCHES									MAX RECOM. LOAD (lbs/ft)	ULTIMATE CAPACITY (lbs/ft)
CLEAR SPAN (in)	DEPTH (in)	LOAD (lb/ft of width)								
		50	100	200	300	500	1000	2000		
12	1"	<.01	0.01	0.03	0.04	0.06	0.13	--	710	3560
	1-1/2"	<.01	<.01	0.01	0.02	0.03	0.05	0.11	1600	8000
18	1"	0.02	0.04	0.08	0.12	0.20	0.41	--	470	2370
	1-1/2"	0.01	0.02	0.03	0.05	0.08	0.15	0.3	1060	5330
24	1"	0.05	0.1	0.2	0.3	0.49	--	--	350	1780
	1-1/2"	0.02	0.03	0.07	0.1	0.17	0.33	--	800	4000
30	1"	0.09	0.18	0.35	--	--	--	--	280	1420
	1-1/2"	0.03	0.06	0.12	0.18	0.29	--	--	640	3200
36	1"	0.16	0.33	--	--	--	--	--	230	1180
	1-1/2"	0.05	0.11	0.21	0.32	--	--	--	530	2660
42	1"	0.26	0.45	--	--	--	--	--	200	1010
	1-1/2"	0.08	0.16	0.32	0.47	--	--	--	450	2280
46	1"	0.32	--	--	--	--	--	--	180	900
48	1-1/2"	0.11	0.23	0.45	--	--	--	--	400	2000
54	1-1/2"	0.15	0.3	--	--	--	--	--	350	1770

